

OMD-480 Portable Percent Oxygen Analyzer



Precision Electrochemical Sensor Technology
 Large Color Display w/ User Friendly Menu
 5 Standard Analysis Ranges
 Auto-Ranging or Manual Range Mode
 Continuous Analysis During Battery Charging
 USB Datalogging via Flash Drive

Specifications:

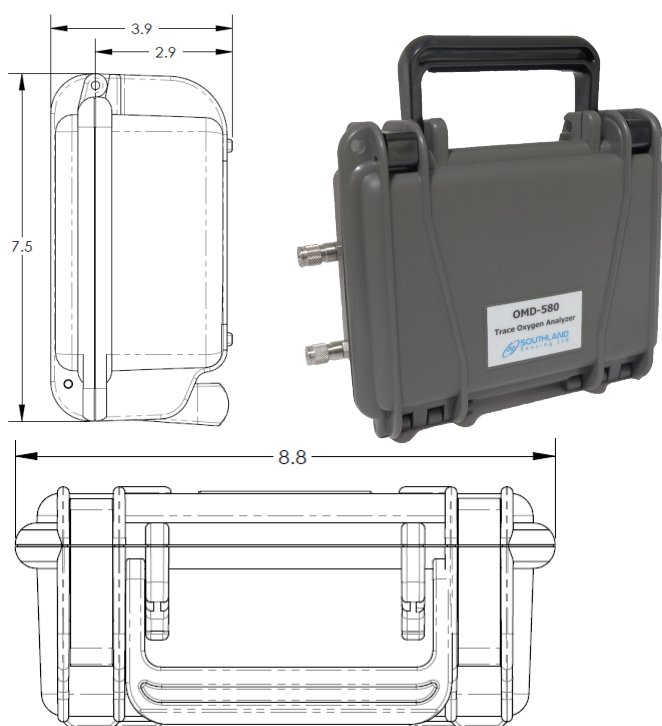
Accuracy:	< 1% of Full Scale Range*
Analysis Range:	0-1%/5%/10%/25%/100%
Battery Indicator:	Integrated into Color Display
Calibration:	Periodically
Classification:	IP66 / NEMA4X
Data Logging:	Removable USB Flash Drive
Dimensions:	8.80 x 7.50 x 3.90 inch
Display:	Full Color with Backlight
Enclosure:	Rugged Polypropylene
Flow Sensitivity:	0.5 - 5 SCFH
Gas Connections:	1/8" Swagelok Tube Fitting
Output (Analog):	0 - 1V DC
Power:	Rechargeable Battery 100 - 240 VAC AC Adapter
Pressure:	Inlet, 5 - 50 PSIG
Response Time:	T90 in 10 Seconds
Sensor:	PO2-160 Percent O2 Sensor
Sensor Life:	60 months
Temperature:	0 - 50 deg C
Temperature Compensation:	Integral
Warranty:	12 months
Weight:	4.8 lbs

Applications:

- Glove box or Pipeline Leak Detection
- Air Separation & Liquification
- Headspace Gas Analysis
- Beverage Grade CO2 Monitoring
- Heat Treating & Bright Annealing
- Inert Gas Welding of Exotic Materials

"Inquiry for Application Expertise"

Phone: 1-949-398-2879; Fax: 1-949-315-3622
 E-mail: sales@sso2.com; Web: www.sso2.com
 4045 E. Guasti Rd. #203, Ontario, CA 91761 USA



Optional Accessories:

- Optional Ranges: Fully Configured From Factory
- Customizable Sample System w/Bypass Valve
- PO2-24 Oxygen Sensor with > 0.5% CO2 Present
- International Language Support (Coming Soon)